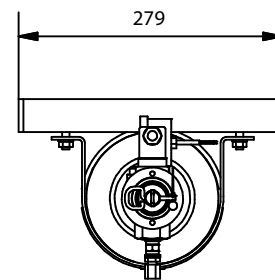
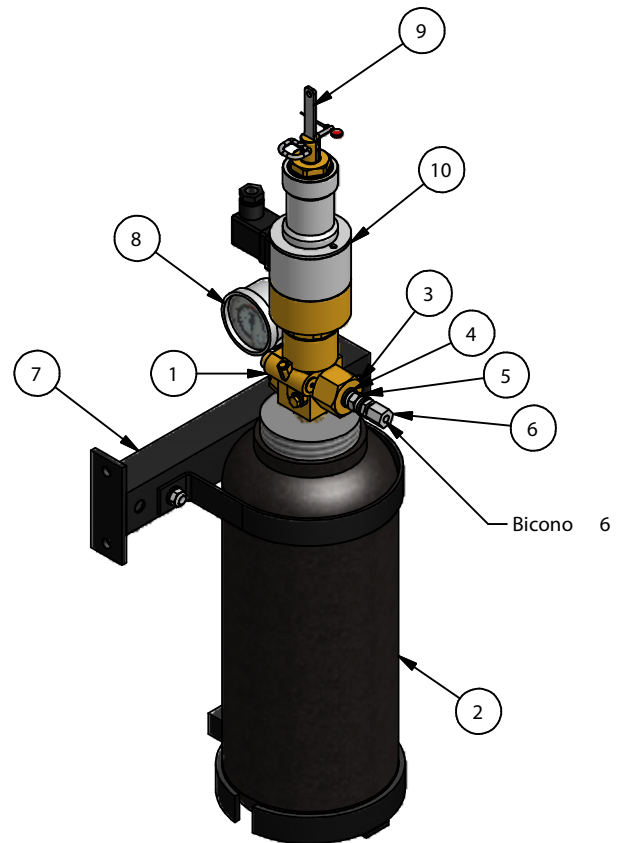
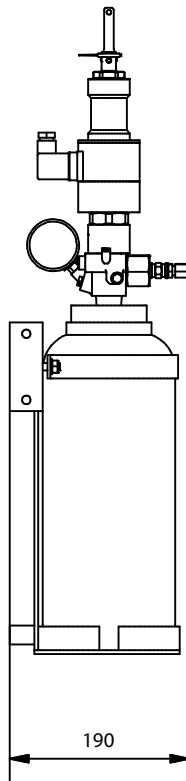
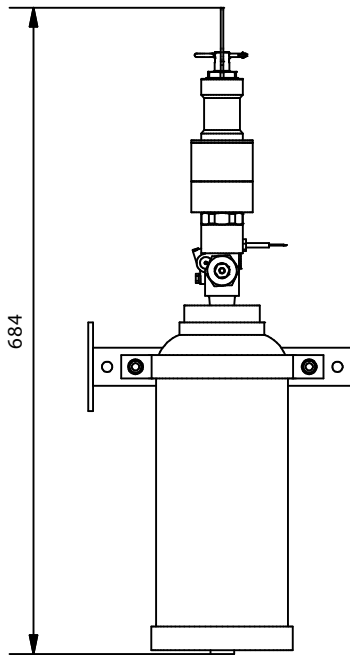




N2 PILOT BOTTLE OF 4.7L

AEX/BDN-5

| Parts list | | |
|--------------|----------|--|
| Number piece | Quantity | Reference and Description |
| 1 | 1 | AEX-INV - Inert Valve DN12 |
| 2 | 1 | BCO425E - Pilot bottle 4.7 L for N2 |
| 3 | 1 | V-RH21M18 - Adapter for pilot bottle H217 M1/8" |
| 4 | 2 | AN-JM18 - Metalbuna joint 1/8" |
| 5 | 1 | V-A18 - Adapter de H1/8" a H1/8" |
| 6 | 1 | V-A18C16 - Adapter M1/8" to bicono 6 |
| 7 | 1 | HP274 - Ironwork for pilot bottle |
| 8 | 1 | AEX-INMP100 - gauge with pressure switch 100 bar |
| 9 | 1 | AEX-INAM - Manual drive |
| 10 | 1 | AEX-INVAE - Electrical actuator inert valves |



| Specifications | |
|--------------------------|------------------------|
| Name | Value |
| Cylinder capacity | 4.7 L |
| Cylinder material | 34CrMo4 |
| Finished | Black paint (RAL 9004) |
| Test pressure (cylinder) | 250 bar |
| Content | N2 |
| Pressure | 111 bar |



Av. Alfonso Peña Boeuf, 6 y 9
28022 MADRID - ESPAÑA
TEL: +34 913121656
FAX: +34 913295820

DATA SHEET

N2 PILOT BOTTLE OF 4.7L

Description: Cylinder used in systems with directional valves, to produce the opening of the directional valve corresponding to the risk to be protected and then the discharge of the necessary cylinders of IG-55.

| Code sheet: | Group sheet: | Reference: | Drawn: | Date: | Revised: | Date: | Review: | Format: |
|----------------|--------------|------------|--------|------------|----------|------------|---------|---------|
| AEX-FTC-09-041 | IG-55 | AEX/BDN-5 | DCM | 04/05/2016 | MRC | 04/05/2016 | 1 | A4 |